



Read all instructions before assembly and use.  
**KEEP INSTRUCTIONS FOR FUTURE USE.**

**▲ ADULT ASSEMBLY REQUIRED**

Due to the presence of small parts during assembly, keep out of reach of children until assembly is complete.

**2 PERSON MINIMUM  
REQUIRED FOR ASSEMBLY**

**ASSEMBLE AT HIGHEST  
FLOOR FIRST**



Customer support:  
signature@plexi-craft.com  
Suite 914, 200 Lexington Avenue,  
New York City,  
10016  
212 924 3244

MODEL:  
DATE:

**THIS PRODUCT IS NOT INTENDED FOR  
INSTITUTIONAL OR COMMERCIAL USE.**

When Contacting Plexi-Craft Quality products please reference the above information. Before Contacting Plexi-Craft customer support please ensure that the information above matches the information found on the label on the crib. Please reference the information found on the product when contacting Plexi-Craft.

## **⚠ CAUTION:**

**ANY MATTRESS USED IN THIS CRIB SHALL BE AT LEAST 27 1/4 BY 51 5/8 IN. WITH A THICKNESS NOT EXCEEDING 6 IN.**

## **⚠ WARNING:**

- \*Infants can suffocate on soft bedding. Never add a pillow or comforter. Never place additional padding under an infant.
- \*Failure to follow these warnings and the assembly instructions could result in serious injury or death. **DO NOT** use this crib if you cannot exactly follow the accompanying instructions.
- \*To reduce the risk of SIDS, pediatricians recommend healthy infants be placed on their backs to sleep, unless otherwise advised by your physician.
- \***Strangulation Hazard: STRINGS CAN CAUSE STRANGULATION!** Do not place items with a string around a child's neck, such as hood strings or pacifier cords. Do not suspend strings over a crib or attach strings to toys.
- \***Strangulation Hazard:** To help prevent strangulation tighten all fasteners. A child can trap parts of the body or clothing on loose fasteners.
- \***Strangulation Hazard: Do not** place crib near window or patio door where cords from blinds or drapes may strangle a child.
- \***Fall Hazard:** When child is able to pull to a standing position, set mattress to lowest position and remove bumper pads, large toys and other objects that could serve as steps for climbing out. This crib has an adjustable mattress support. For the convenience of the parent when the baby is very small, the mattress support may be used in the highest position. Important: with the mattress support and mattress in the highest position, be absolutely sure that the top of the front crib side is at least 3 inches higher than the top surface of the mattress. If it is not, lower the mattress support and the mattress to the next highest position.
- \***Fall Hazard:** Stop using crib when child begins to climb out or reaches a height of 35in. (89cm), whichever occurs first. The child should be placed in a youth or regular bed.
- \*Check this product for damaged hardware, loose joints, loose bolts or other fasteners, missing parts, or sharp edges before and after assembly and frequently during use. Securely tighten loose bolts and other fasteners. **Do not use crib** if any parts are missing, damaged or broken. Contact Delta Children's Products for replacement parts and instructional literature if needed. Do not substitute parts.
- \*Follow warnings on **all** products in a crib.
- \*If refinishing, use a non-toxic finish specified for children's products.
- \***Never** use plastic shipping bags or other plastic film as mattress covers because they can cause suffocation.
- \*Infants can suffocate in gaps between crib sides and a mattress that is too small.
- \*Ensure a safe environment for the child by checking regularly, before placing the child in the crib, that every component is properly and securely in place.
- \*To avoid head injury, do not allow any child to play underneath the crib.
- \***Never** add an accessory such as a bassinet or changing table that extends over the sleeping area.
- \***In Canada Only** - Use a crib mattress that is no thicker than 15 cm and is of such a size that, when it is pushed firmly against any side of the crib, it does not leave a gap of more than 3 cm between the mattress and any part of the sides of the crib. Do not use this crib for a child who can climb out of it or who is taller than 90 cm.

# TODDLER BED

## **▲WARNING**

### **INFANTS HAVE DIED IN TODDLER BEDS FROM ENTRAPMENT.**

Openings in and between toddler bed parts can entrap head and neck of a small child.  
**NEVER** use toddler bed with children younger than 15 months.  
**ALWAYS** follow assembly instructions.  
The maximum user weight is 50lbs (22.7kg)

## **▲WARNING**

### **STRANGULATION HAZARD**

**NEVER** place bed near windows where cords from blinds or drapes may strangle a child.  
**NEVER** suspend strings over a bed.  
**NEVER** place items with a string, cord, or ribbon, such as hood strings or pacifier cords, around a child's neck. These items may catch on bed parts.

## **▲CAUTION**

### **ENTRAPMENT HAZARD**

To avoid dangerous gaps, any mattress used in this bed shall be a full-size crib mattress at least 51 5/8 in (1310mm) in length, 27 1/4 in (690mm) in width and a max thickness of 6 in (150 mm).

### **NOTES ON ASSEMBLY:**

- During the assembly process whenever using screws or bolts, check each by placing the screw/bolt on the diagram of the item which is drawn actual size and design. Be sure to use the proper size and shape specified in the instructions.
- To assemble this unit you may be required to place the unit on it's side and face. It is strongly recommended that assembly is done on a soft, non-abrasive surface to avoid damaging the finish.

### **NOTES ON USE:**

Keep children and others safe by following these simple rules:

- **Do not** allow any child to play on furniture
- **Do not** allow climbing on any piece of furniture.
- **Do not** allow hanging from any piece of furniture.
- Always monitor your child's activity when in the nursery.

### **NOTES ON CARE AND MAINTENANCE:**

- **DO NOT** scratch or chip the acrylic of this product
- Inspect the product periodically, contact Plexi-Craft Quality Products for replacement parts of questions.
- DO NOT** store the product or any parts in extreme temperatures and conditions such as a hot attic or a damp cold basement. These extremes can cause a loss of structural integrity.
- Do not use abrasive chemicals or spray cleaners onto the crib. To clean the piece Plexi-Craft recommends "Novus" plastic cleaner.
- Lift slightly when moving on carpeting to prevent leg breakage.

# CONTENTS

Part A: Components: Page 5.

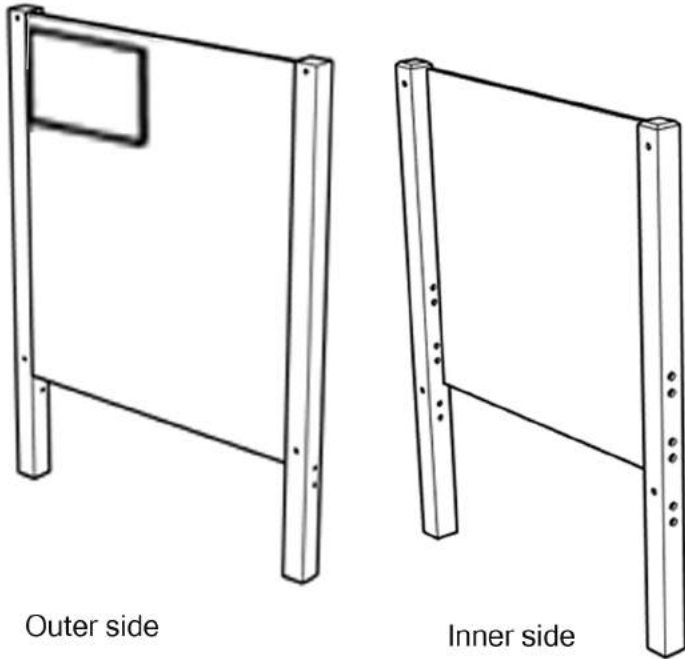
Part B: Crib Assembly: Pages 6-9

Part C; Adjusting Crib Height: Pages 10-12

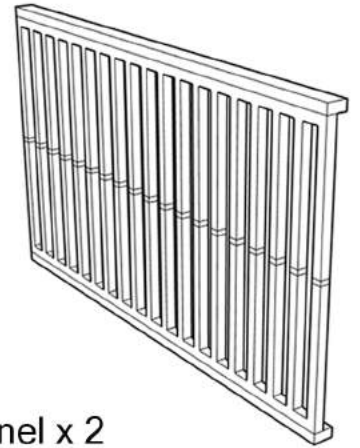
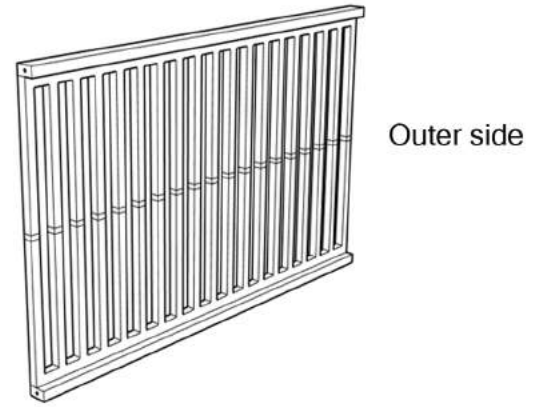
Part D: Conversion to toddler bed: Page 13

Part E: Crib Assembly Instruction Storage: Page 14

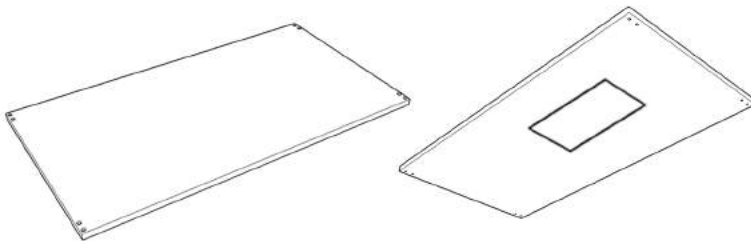
# COMPONENTS



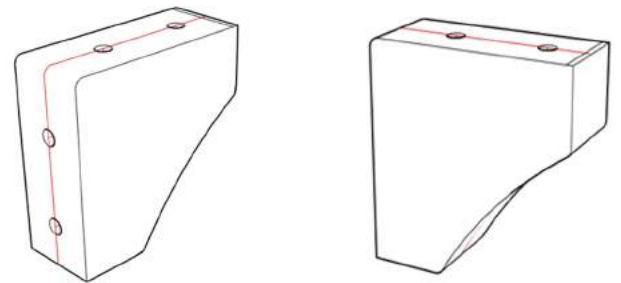
A: Pillar Sheets (one of each x 2)



B: Grill Panel x 2



C: Base plate x 1



D: Corner brackets x 4



E: LONG 1/4" 20 Hex Screws,  
length - 2.5" x 16

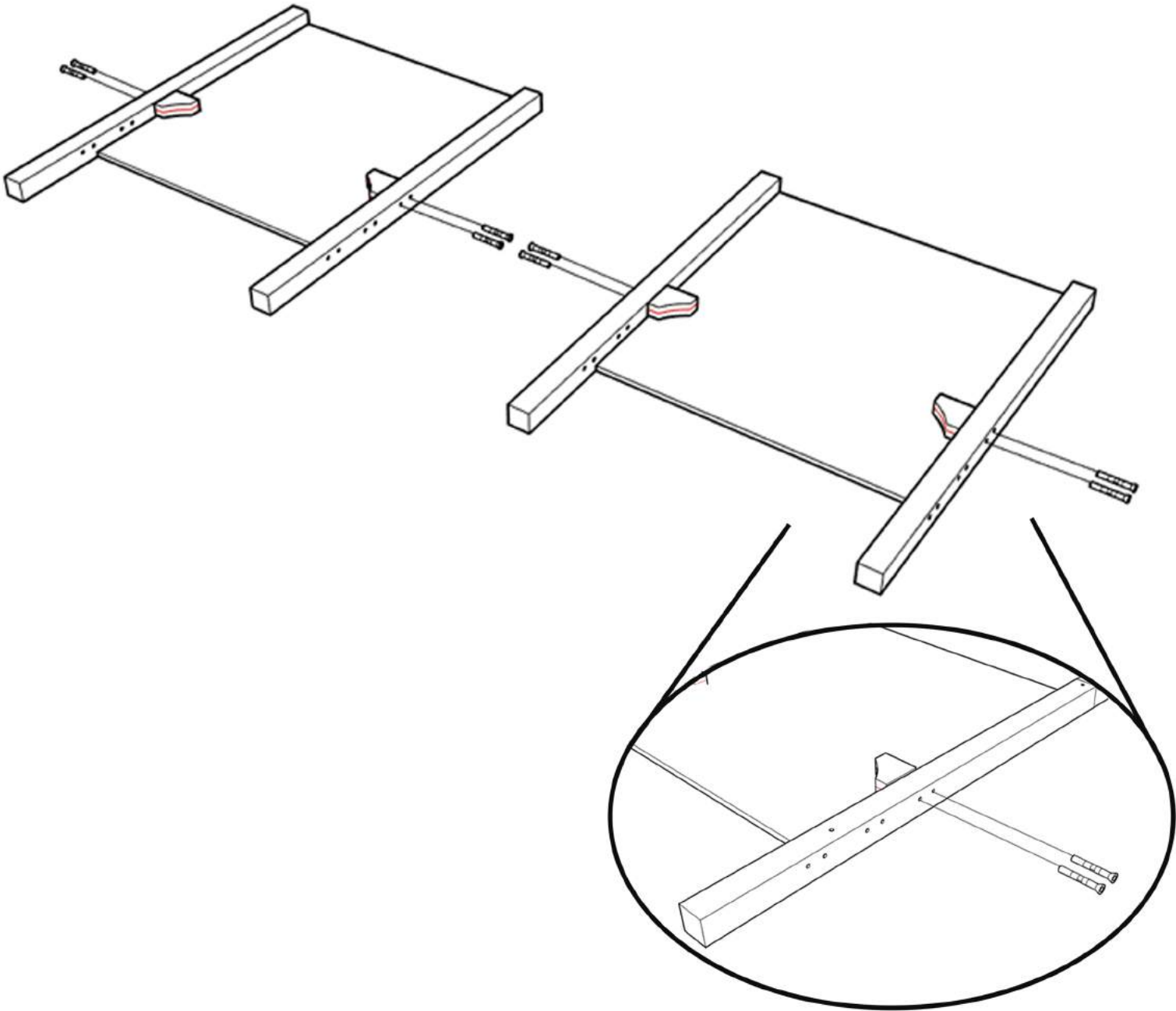


F: SHORT 1/4" 20 Hex  
Screws, Length- 1.5" x 8



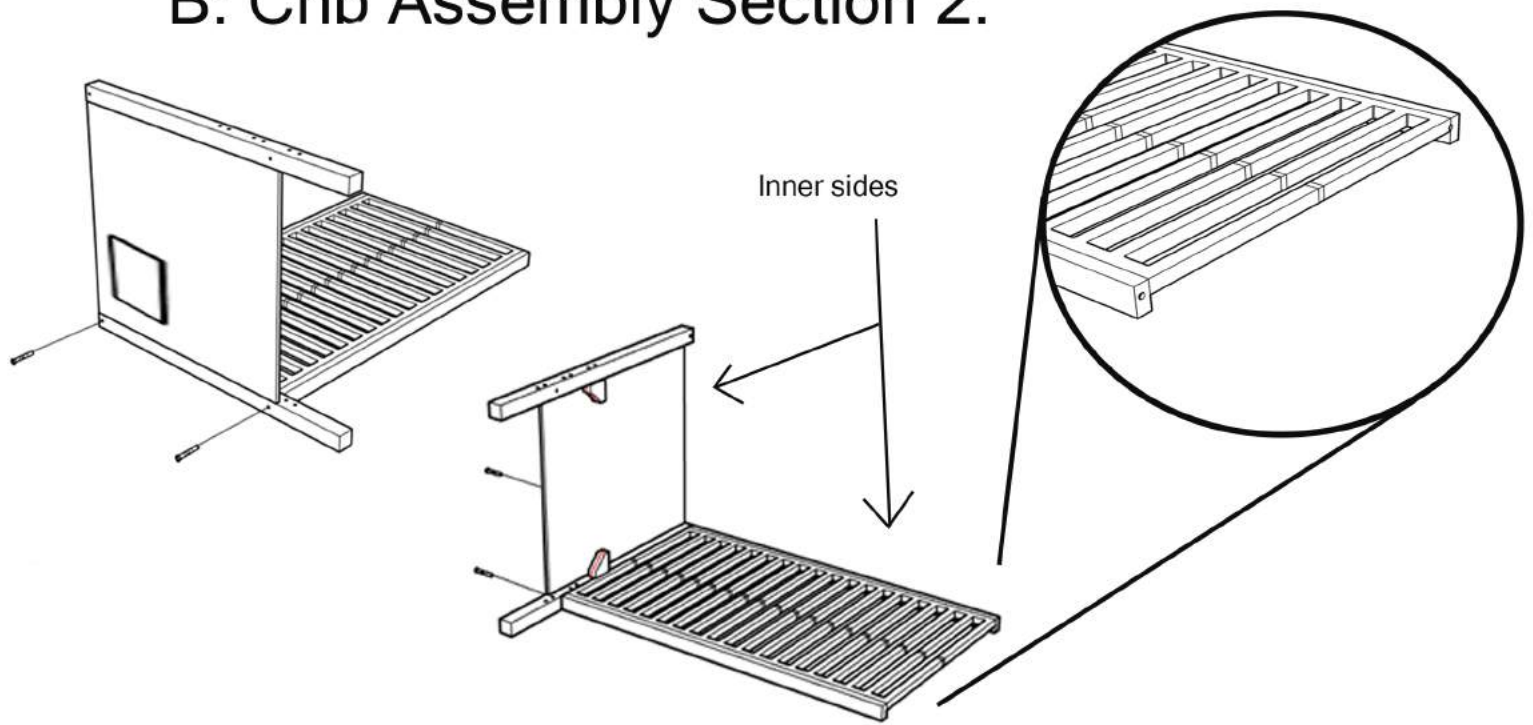
Bondhus 40609 5/32 Ball End Tip  
Screwdriver x 1

## B: Crib Assembly Section 1

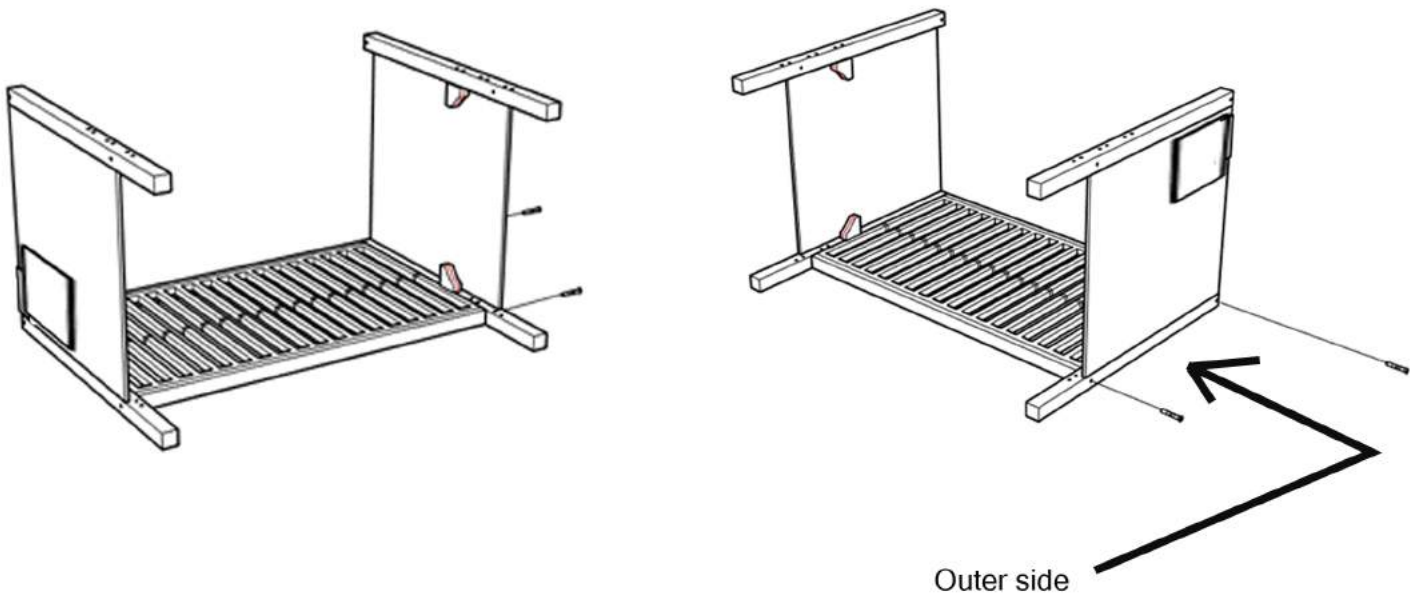


Lay down both components of part A (Pillar Sheets) so that inner side is facing upwards and warning labels are pressed against floor.  
Attach all components of part D (Corner Brackets) at highest of three settings as shown in illustrations. Use 8 x Part E (LONG Hex Screws), be sure not to overtighten.

## B: Crib Assembly Section 2.

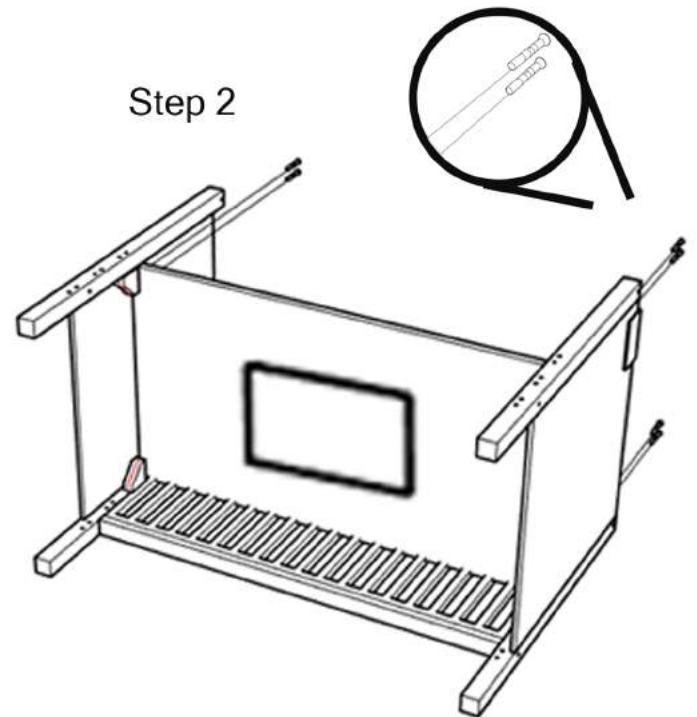
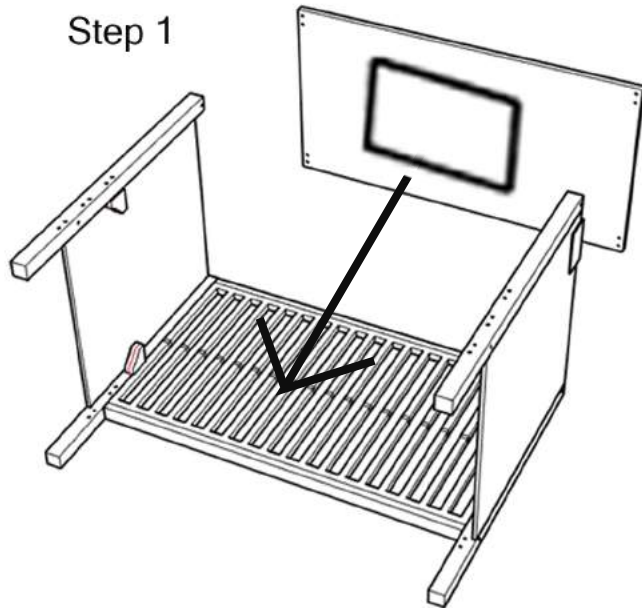


With at least one person holding part A (Pillar Sheet) firmly upright to part B (Grill Panel), slowly screw part A (pillar sheet) to the Part B (Grill Panel) in place with 2 x Part E (LONG Hex Screws). Be sure to arrange inner and outer faces as shown. Do not overtighten.

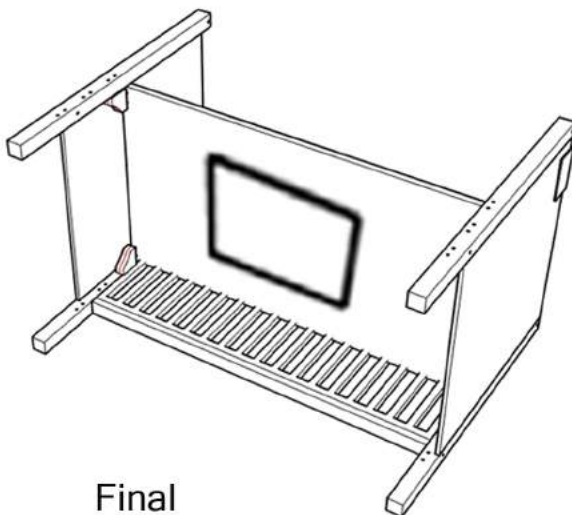


Attach the other component of part A (pillar sheet) as shown using 8 x Part E (LONG Hex Screws). Be sure to arrange faces of components as shown and do not overtighten.

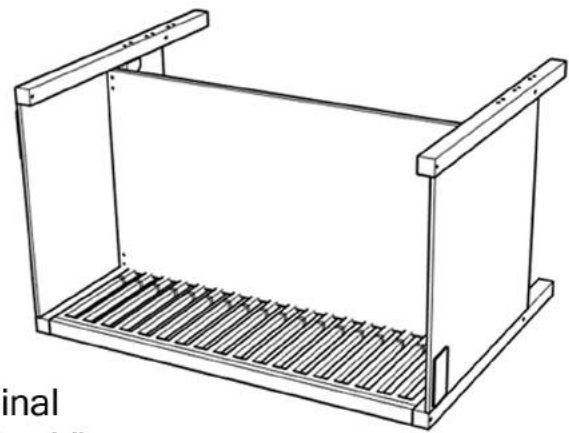
## B: Crib Assembly Section 3.



Lift part C (Base Plate) inside through the top of the frame as shown above. Screw part C (Base Plate) using 8x Part F (SHORT Hex Screws) to the bottom part D (Brackets) inside both components of part A (Pillar Sheet). Make sure top view with sticker faces upwards towards the top of the crib. Arrange as images show and do not overtighten.



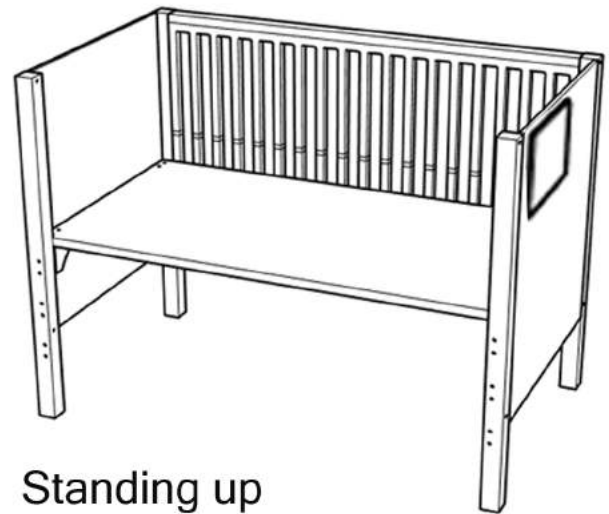
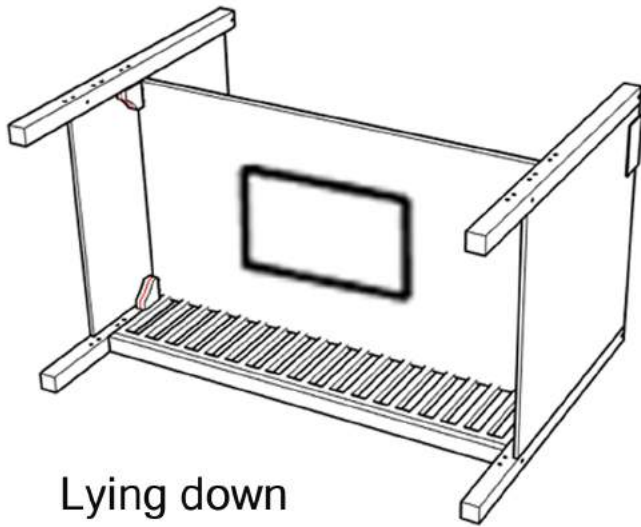
Final  
Bottom View



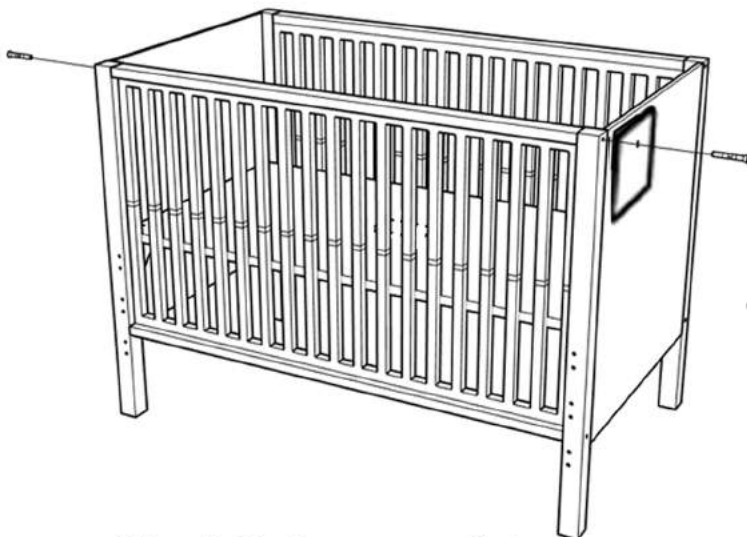
Final  
Top View



## B: Crib Assembly Section 4.



With two people, lift the crib upwards until it is standing level on all four legs. Do not attempt to lift with fewer than two people.



Place the final piece of part B (Grill Panel) inside the frame and attach to part A (Pillar Sheets) with 4 x Part E (LONG Hex Screws) as shown. Attach top screws before attaching lower screws.

**ASSEMBLY NOW COMPLETE**

## C: Adjusting Crib Height.

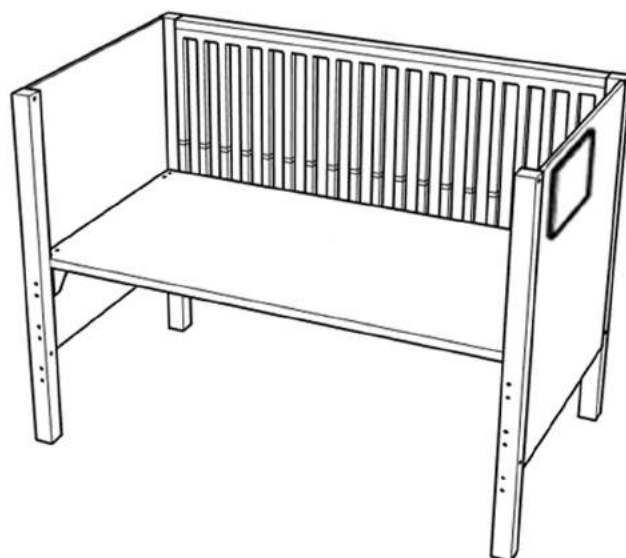
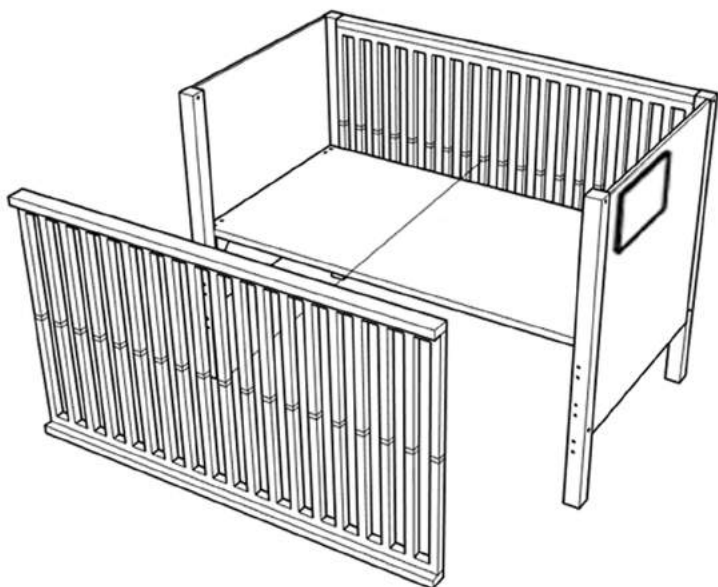


Step 1:  
Bottom Screws First



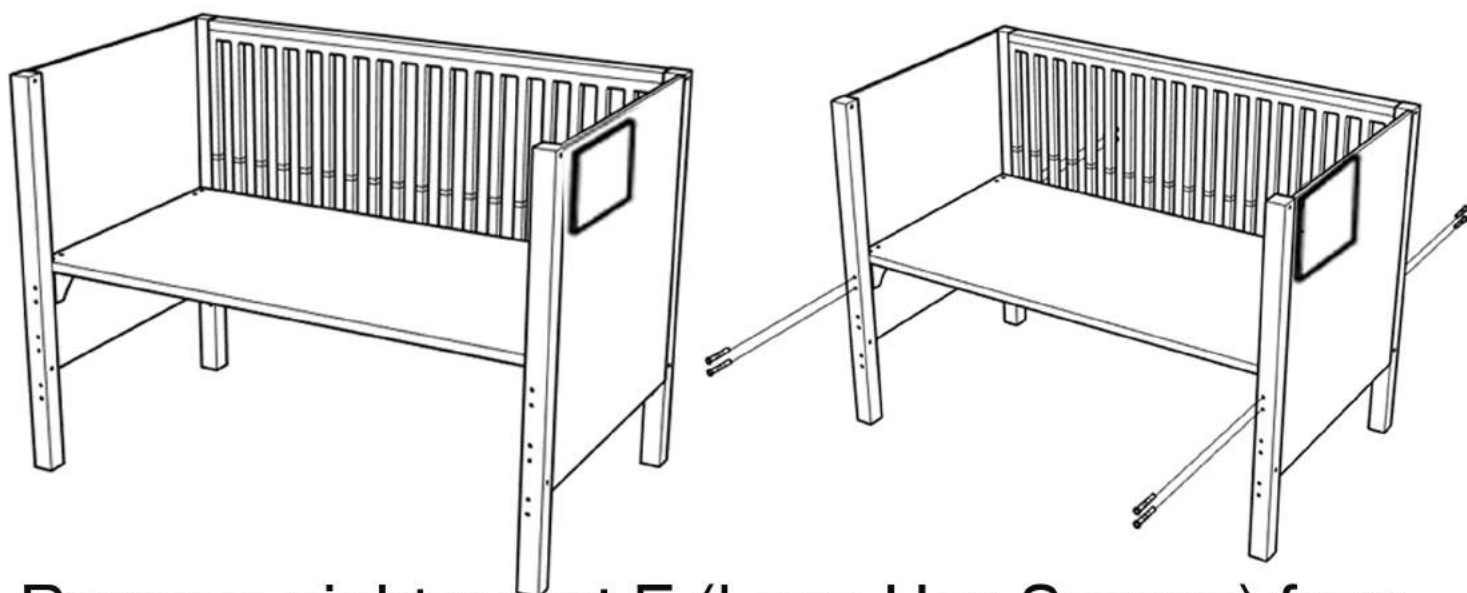
Step 2:  
Remove Top Screws Second.

Remove the part E (Long Hex Screws) from Part B (Grill Panels) and Part A (Pillar Sheet), remove bottom screws first before top screws.

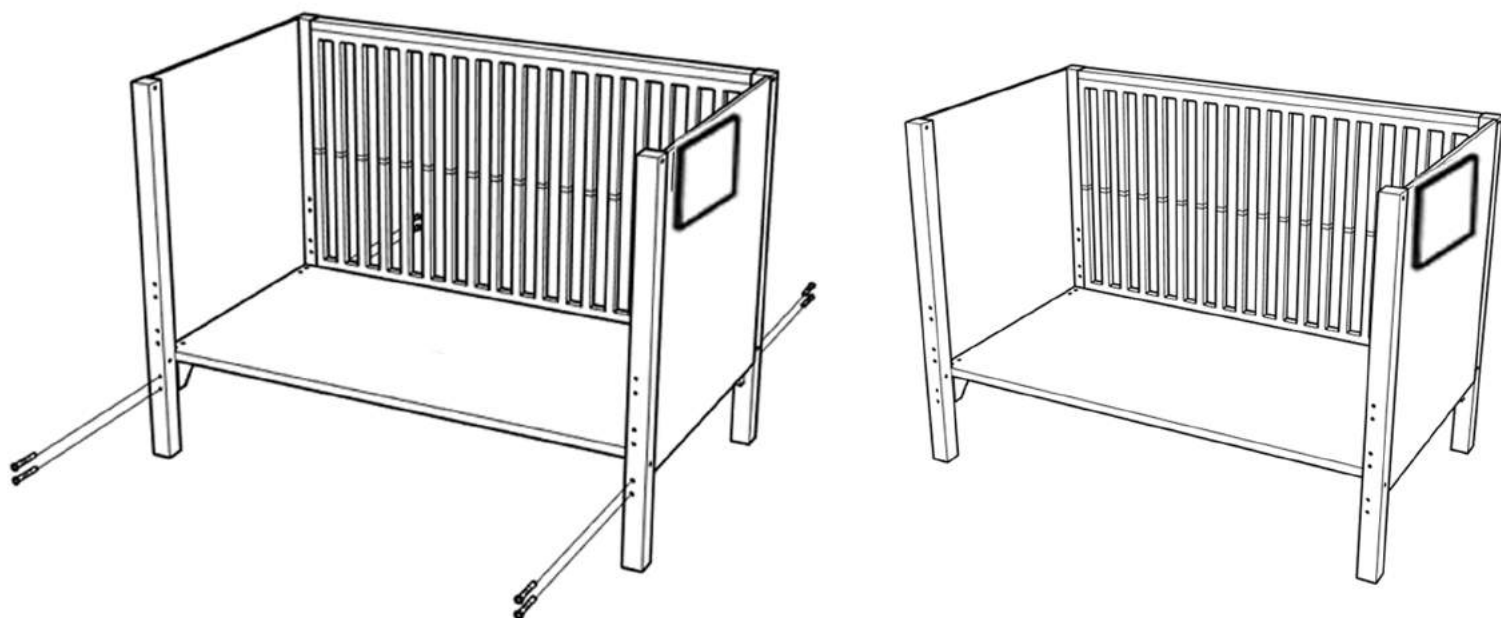


Remove part B (Grill Panel) from the frame. Keep Part C (Base plate) in the same position.

## C: Adjusting Crib Height.

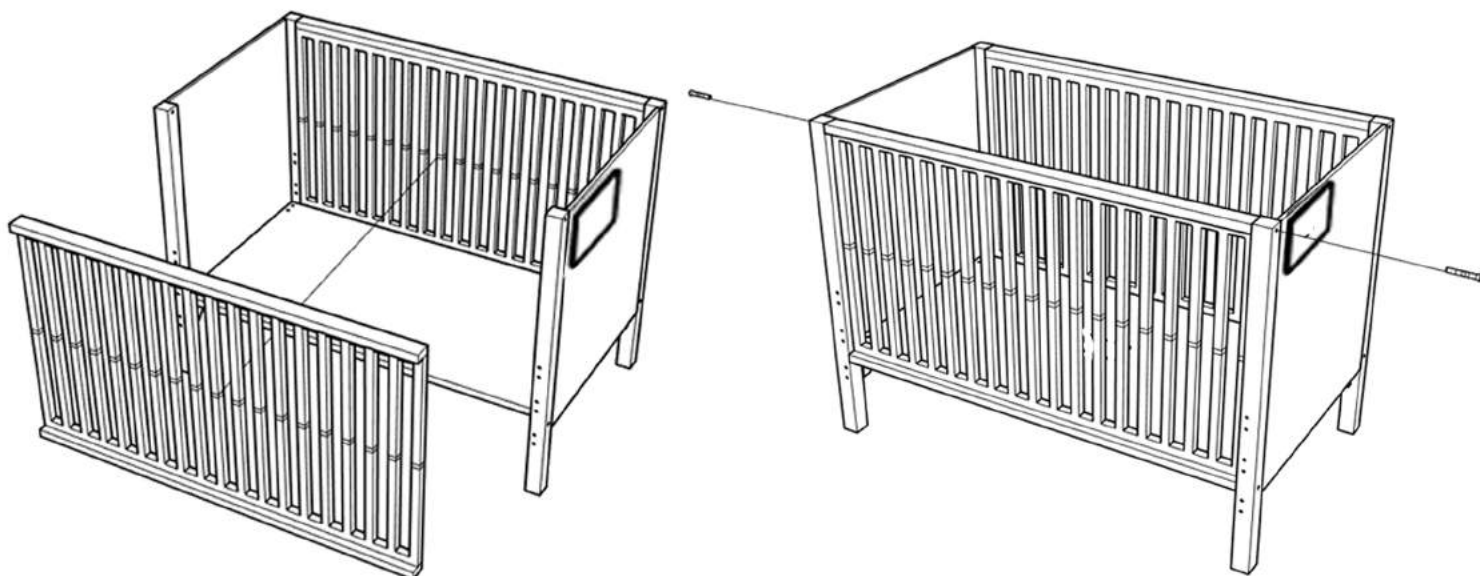


Remove eight x part E (Long Hex Screws) from Part D (Corner Brackets) and part A (Pillar Sheets). Keep Corner Brackets attached to part C (Base Plate).

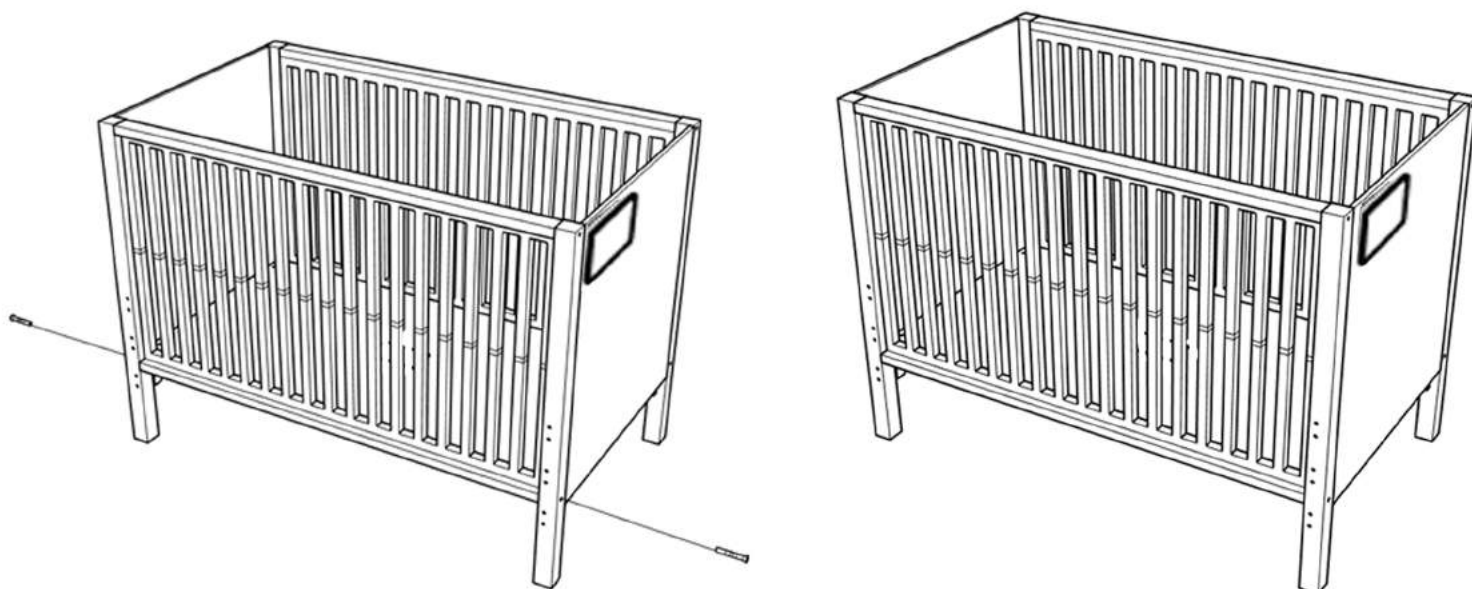


Move Part C (Base Plate) to desired height and re-attach eight x part E (Long hex screws) at corresponding height holes in pieces of part A (Pillar Sheet).

## C: Adjusting Crib Height

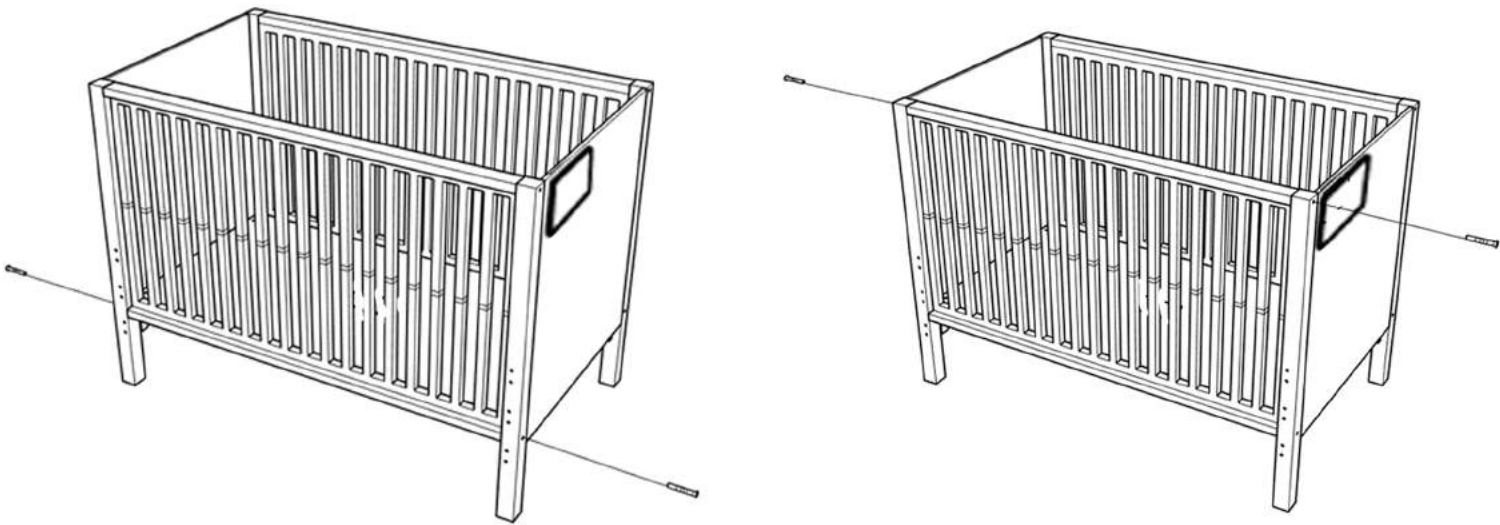


With part C (Base Plate) at Desired Height, place part B (Grill Panel) back into frame and re-attach with four x part E (Long Hex Screws). Be sure to attach top screws before bottom screws for stability purposes.

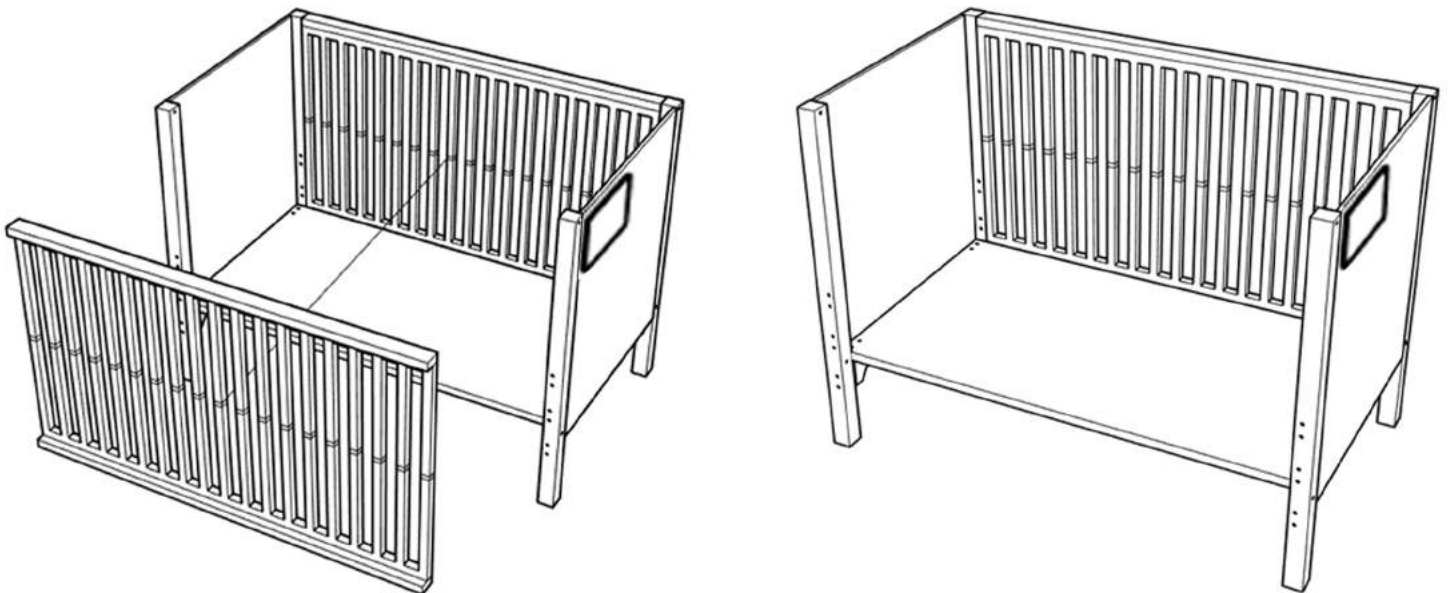


**HEIGHT ADJUSTMENT COMPLETED**

## D: Conversion to Toddler Bed.



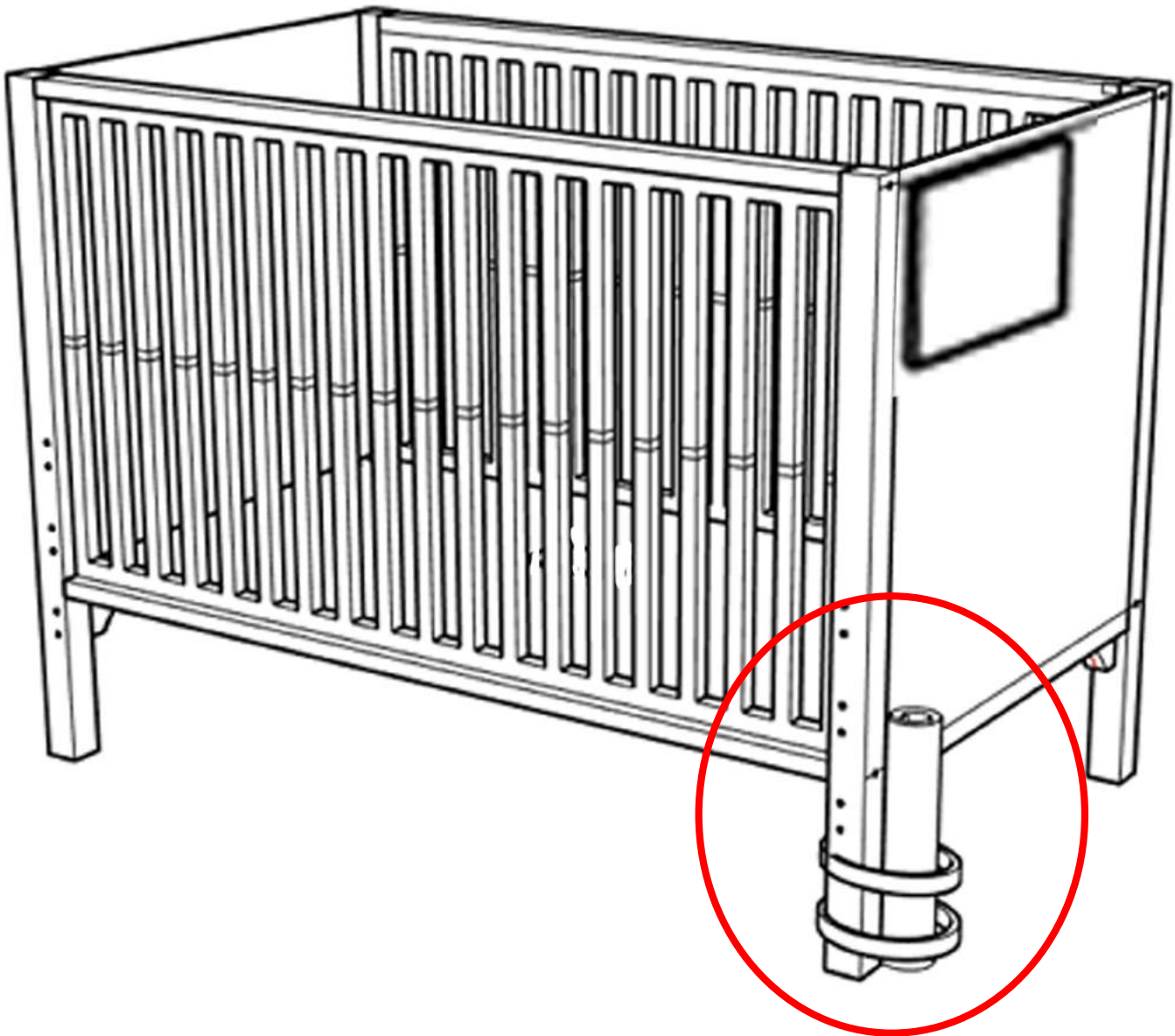
Either front or rear component of part B (Grill plate) can be removed. After following directions for C: Adjusting Crib Height, make sure part C (Base plate) is in the lowest position. Then remove part 4 x Part E (long hex screws) from parts A (Pillar Sheet) and B (Grill panel), making sure to remove bottom screws first.



Remove part B (Grill Plate) from frame and store in safe place.

**TODDLER BED NOW COMPLETED**

## E: Crib Assembly Instruction Storage



For Assembly purposes, please keep this booklet with your crib. Please rubber bands provided with instructions to attach rolled up booklet to crib leg.